

Max Frame	DP	IMPACT
98 5/8 x 98 1/2 +50/-50		YES

WINDZONE 3

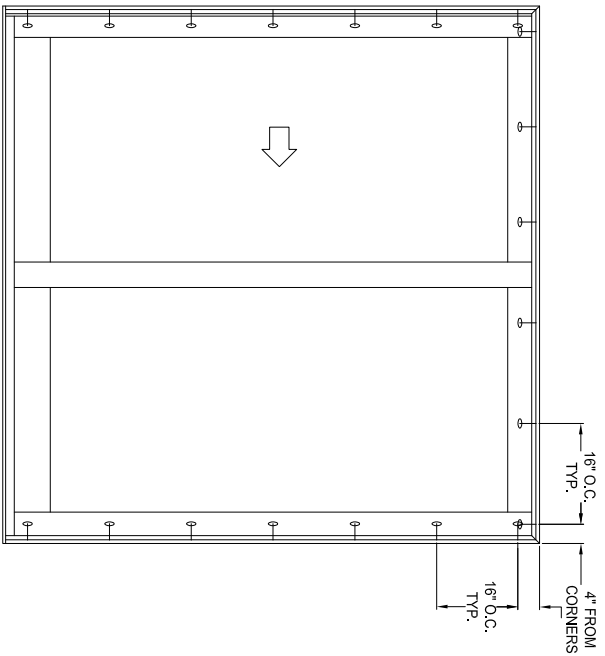
- Installation Notes:**
1. Seal flange/frame to substrate. Sill shall be set on a continuous serpentine bead of structural grade silicone caulk when no fastener is used to anchor the sill (typical).
 2. Use #8 PH or greater fastener through the nailing flange with sufficient length to penetrate a minimum of 1 1/2" into the wood framing. For 2x wood frame substrate (min. S.G. = 0.42)
 3. Host structure (wood buck, masonry, steel) to be designed and anchored to properly transfer all loads to the structure. The host structure is the responsibility of the architect or engineer of record for the project of installation.

- General Notes:**
1. The product shown herein is designed, tested and manufactured to comply with the wind load criteria of the adopted International Building Code (IBC), the International Residential Code (IRC), the Florida Building Code (FBC) excluding HVHZ and the industry requirement for the stated conditions.
 2. All glazing shall conform to ASTM E1300.
 3. At minimum, glazing is 3.9mm tempered - 8.3mm annealed - 3.0mm annealed - 2.3mm PVB interlayer by Dupont - 3.0mm annealed insulating glass.
 4. Use structural or composite shims where required.

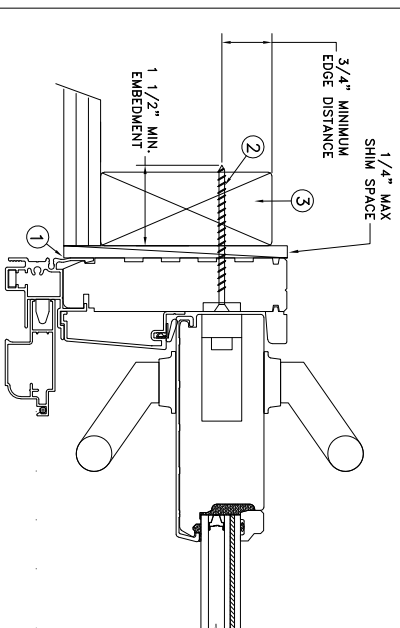
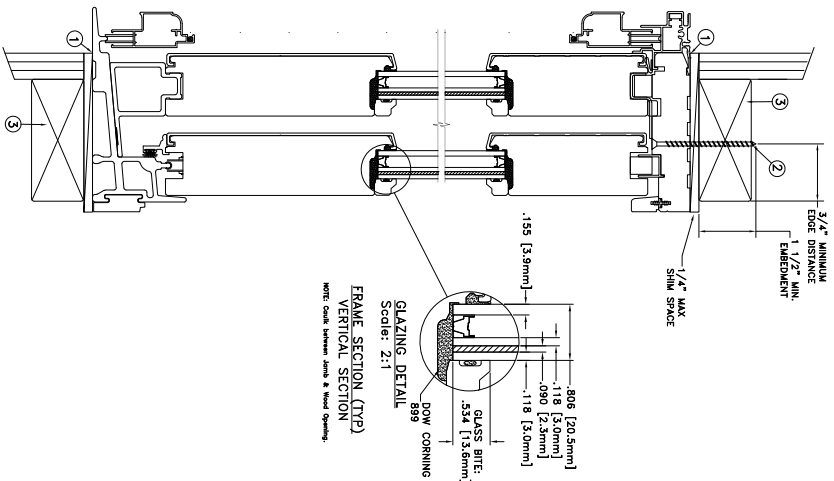
This schedule addresses only the fasteners required to anchor the unit to achieve the rated design pressure and impact performance (where applicable) up to the size limitations noted. It is not intended as a guide to the installation process and does not address the sealing consideration that may arise in different wall conditions. For the complete installation procedure, see the instructions packaged with the unit or go to www.jeld-wen.com.

DISCLAIMER:
This drawing and its contents are confidential and are not to be reproduced or copied in whole or in part or used or disclosed to others except as authorized by JELD-WEN Inc.

DATE: 10/23/2018	DRAWN BY: J.HAWKINS	CHECKED BY: G.GARDNER	APPROVED BY: D.STOKES	PART/PROJECT No.:	CAD DWG. No.:	REV.:	SHEET:
SCALE: NTS	TITLE: Custom Clad Wide Stile Gliding Patio Door - Impact	JELD-WEN KLAMATH FALLS OR, 97601 PHONE: (800) 535-3936		D007274	CUSCLWGPD Cert	A	1 OF 3
AS TESTED							



TYPICAL ELEVATION WITH FASTENER SPACING



THROUGH FRAME INSTALLATION

Max Frame	DP	IMPACT
98 5/8 x 98 1/2	+50/-50	YES

WINDZONE 3

Installation Notes:

1. Seal flange/frame to substrate. Sill shall be set on a continuous serpentine bead of structural grade silicone caulk when no fastener is used to anchor the sill (typical).
2. Use #8 PH or greater fastener through the head and side jambs with sufficient length to penetrate a minimum of 1 1/2" into the wood framing. For 2x wood frame substrate (min. S.G. = 0.42)
3. Host structure (wood buck, masonry, steel) to be designed and anchored to properly transfer all loads to the structure. The host structure is the responsibility of the architect or engineer of record for the project of installation.

General Notes:

1. The product shown herein is designed, tested and manufactured to comply with the wind load criteria of the adopted International Building Code (IBC), the International Residential Code (IRC), the Florida Building Code (FBC) excluding HVHZ and the industry requirement for the stated conditions.
2. All glazing shall conform to ASTM E1300.
3. At minimum, glazing is 3.9mm tempered - 8.3mm annealed - 3.0mm annealed - 2.3mm PVB Interlayer by Dupont - 3.0mm annealed insulating glass.
4. Use structural or composite shims where required.

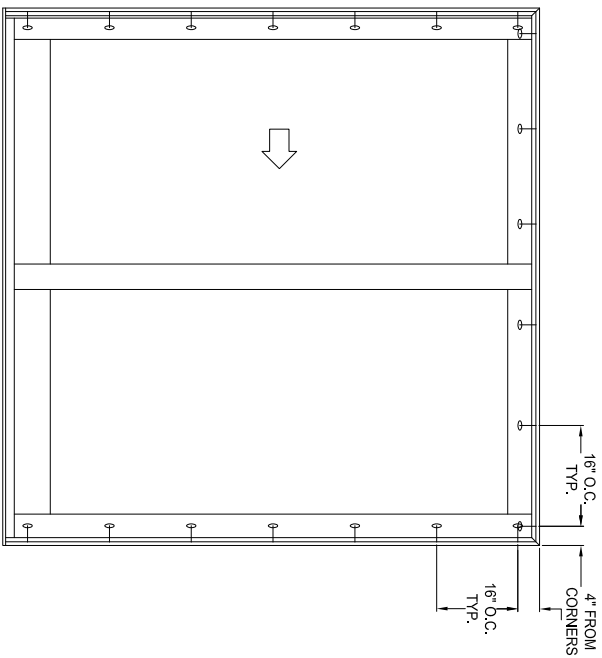
This schedule addresses only the fasteners required to anchor the unit to achieve the rated design pressure and impact performance (where applicable) up to the size limitations noted. It is not intended as a guide to the installation process and does not address the sealing consideration that may arise in different wall conditions. For the complete installation procedure, see the instructions packaged with the unit or go to www.jeld-wen.com.

DISCLAIMER:

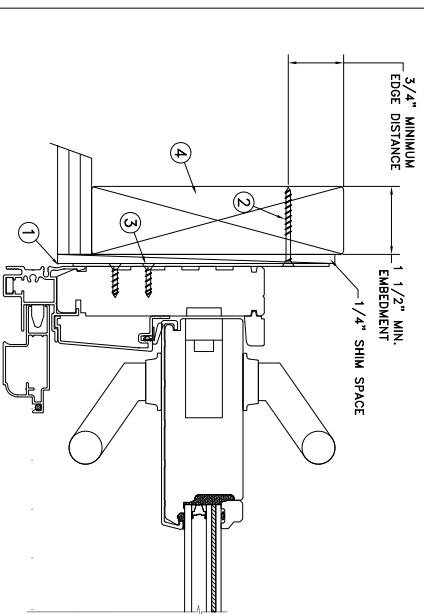
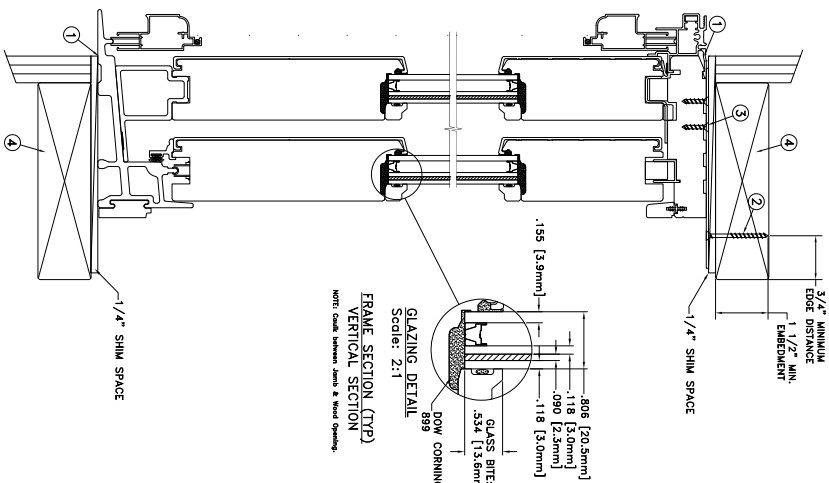
This drawing and its contents are confidential and are not to be reproduced or copied in whole or in part or used or disclosed to others except as authorized by JELD-WEN Inc.

DRAWN BY: J.HAWKINS	DATE: 10/23/2018	<p>JELD-WEN 3737 LAKEPORT BLVD. KLAMATH FALLS OR, 97601 PHONE: (800) 535-3936</p>
CHECKED BY: G.GARDNER	SCALE: NTS	
APPROVED BY: D.STOKES	TITLE: Custom Glad Wide Stile Gliding Patio Door - Impact	
PART/PROJECT No.:	D007274	
IDENTIFIER No.		
CAD DWG. No.:	CUSCLWGPD Cert	
REV.:	A	SHEET
		2 of 3

"AS TESTED"



TYPICAL ELEVATION WITH FASTENER SPACING



MASONRY STRAP
INSTALLATION

FRAME JAMB SECTION (TYP)
HORIZONTAL SECTION
NOTE: Caulk between Jamb & Wood Opening.

Max Frame	DP	IMPACT
98 5/8 x 98 1/2 +50/-50		YES

WINDZONE 3

Installation Notes:

1. Seal flange/frame to substrate. Sill shall be set on a continuous serpentine bead of structural grade silicone caulk when no fastener is used to anchor the sill (typical).
2. Use 2 - #8 PFH or larger fasteners through masonry strap with sufficient length to penetrate a minimum of 1 1/2" into the masonry or buck.. For concrete (min. fc = 2000 psi) or masonry substrate (CMU shall adhere to ASTM C90).
3. Use 2 - #8 PFH or larger fasteners through masonry strap into jamb without penetrating through the jamb into product causing visibility or collateral damage to product.
4. Host structure (wood buck, masonry, steel) to be designed and anchored to properly transfer all loads to the structure. The host structure is the responsibility of the architect or engineer of record for the project of installation.

General Notes:

1. The product shown herein is designed, tested and manufactured to comply with the wind load criteria of the adopted International Building Code (IBC), the International Residential Code (IRC), the Florida Building Code (FBC) excluding HVHZ and the industry requirement for the stated conditions.
2. All glazing shall conform to ASTM E1300.
3. At minimum, glazing is 3.9mm tempered - 8.3mm annealed - 3.0mm annealed - 2.3mm PVB Interlayer by Dupont - 3.0mm annealed insulating glass.
4. Use structural or composite shims where required.

This schedule addresses only the fasteners required to anchor the unit to achieve the rated design pressure and impact performance (where applicable) up to the size limitations noted. It is not intended as a guide to the installation process and does not address the sealing consideration that may arise in different wall conditions. For the complete installation procedure, see the instructions packaged with the unit or go to www.jeld-wen.com.

DISCLAIMER:

This drawing and its contents are confidential and are not to be reproduced or copied in whole or in part or used or disclosed to others except as authorized by JELD-WEN Inc.

DATE: 10/23/2018	DRAWN BY: J.HAWKINS	CHECKED BY: G.GARDNER	APPROVED BY: D.STOKES	PART/PROJECT No.:	CAD DWG. No.:	REV.:	SHEET
SCALE: NTS	TITLE: Custom Glad Wide Stile Gliding Patio Door - Impact	JELD-WEN KLAMATH FALLS OR, 97601 PHONE: (800) 535-3936		D0072774	CUSCLWGPD Cert	A	3 of 3

"AS TESTED"